

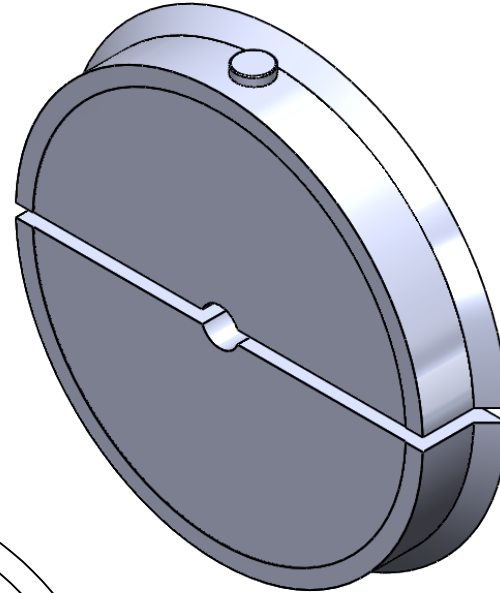
PART NO.

3-DT2P300-000

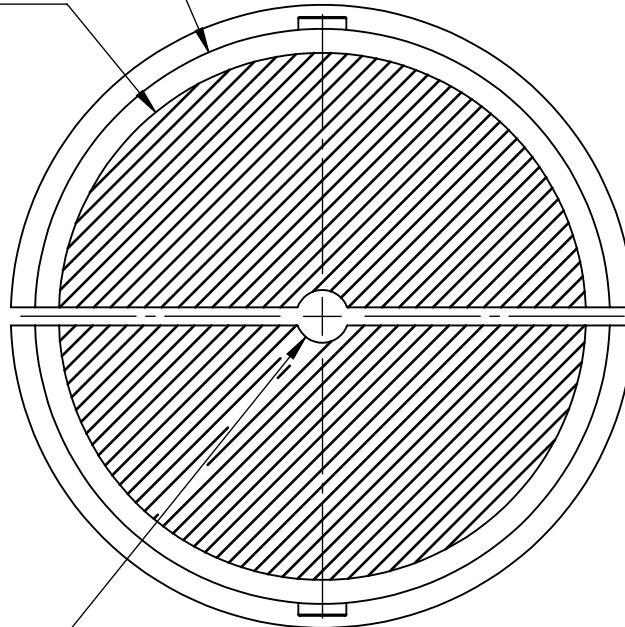
PROPRIETARY AND CONFIDENTIAL

THE INFORMATION CONTAINED IN THIS DRAWING IS THE SOLE PROPERTY OF STAFFORD MFG. ANY REPRODUCTION IN PART OR AS A WHOLE WITHOUT THE WRITTEN PERMISSION OF STAFFORD MFG. IS PROHIBITED.

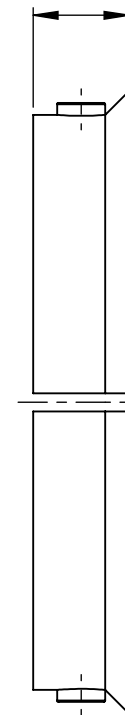
Ø 2.995"
OUTSIDE DIAMETER



Ø 2.750"
USER DEFINED AREA
MAXIMUM I.D. 2.750"



0.500" WIDTH



Ø 0.250"
PILOT HOLE

VISIT US ONLINE AT
WWW.STAFFORDMFG.COM

COUNTRY OF ORIGIN - USA
ALL DIMENSIONS ARE IN ENGLISH



DESCRIPTION:

3" 2PC SPARCTM Basic Insert
(Max ID 2-3/4")

SERIES Solution	STYLE N/A	MATERIAL USER DEFINED	FINISH USER DEFINED	APPROX. WEIGHT USER DEFINED	PART NO. 3-DT2P300-000
--------------------	--------------	--------------------------	------------------------	--------------------------------	---------------------------