

PART NO.

3-DT1P300-000

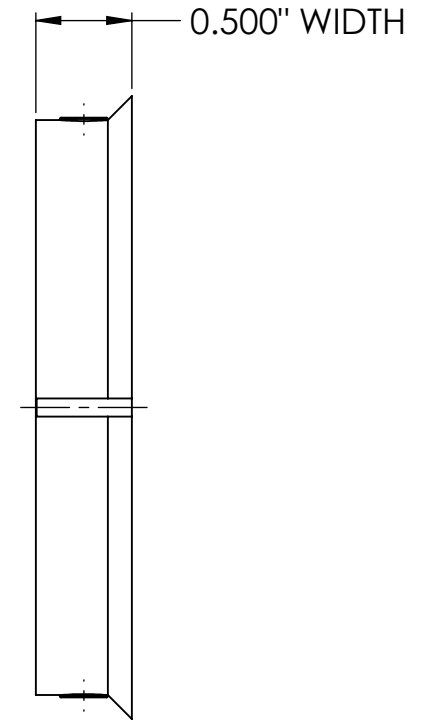
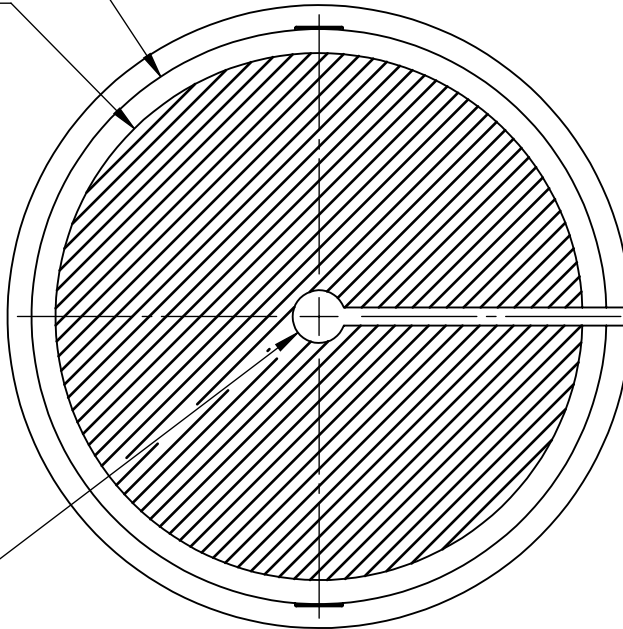
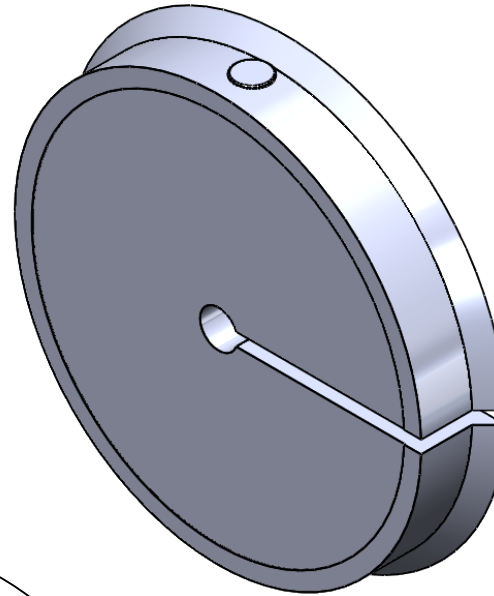
**PROPRIETARY AND CONFIDENTIAL**

THE INFORMATION CONTAINED IN THIS DRAWING IS THE SOLE PROPERTY OF STAFFORD MFG. ANY REPRODUCTION IN PART OR AS A WHOLE WITHOUT THE WRITTEN PERMISSION OF STAFFORD MFG. IS PROHIBITED.

Ø 2.995"  
OUTSIDE DIAMETER

Ø 2.750"  
USER DEFINED AREA  
MAXIMUM I.D. 2.750"

Ø 0.250"  
PILOT HOLE



VISIT US ONLINE AT  
[WWW.STAFFORDMFG.COM](http://WWW.STAFFORDMFG.COM)

COUNTRY OF ORIGIN - USA  
ALL DIMENSIONS ARE IN ENGLISH



DESCRIPTION:

3" 1PC SPARC™ Basic Insert  
(Max ID 2-3/4")

SERIES Solution	STYLE N/A	MATERIAL USER DEFINED	FINISH USER DEFINED	APPROX. WEIGHT USER DEFINED	PART NO. 3-DT1P300-000
--------------------	--------------	--------------------------	------------------------	--------------------------------	---------------------------