

PART NO.

3-DT1P200-000

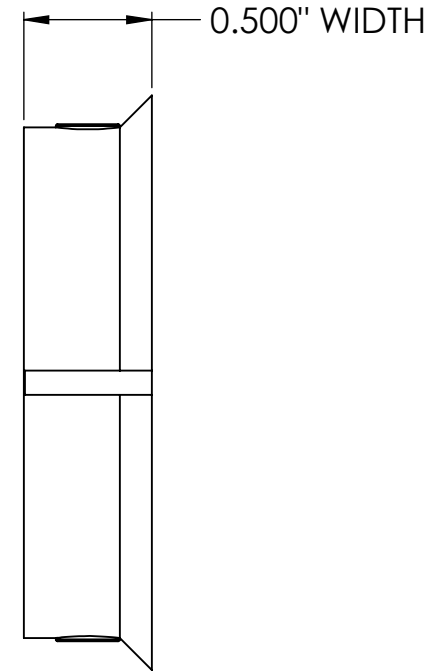
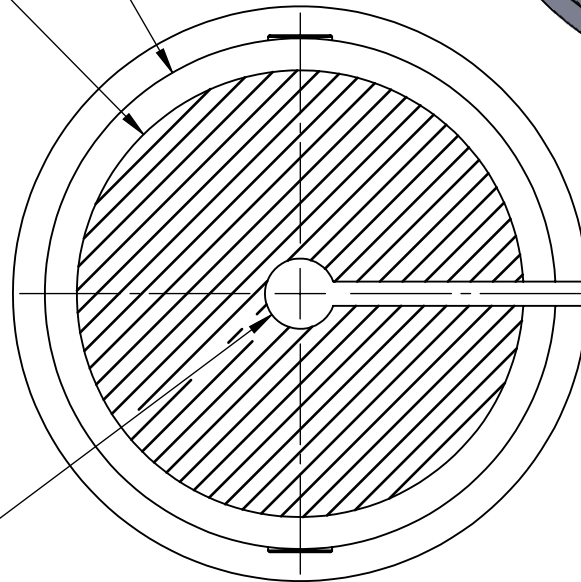
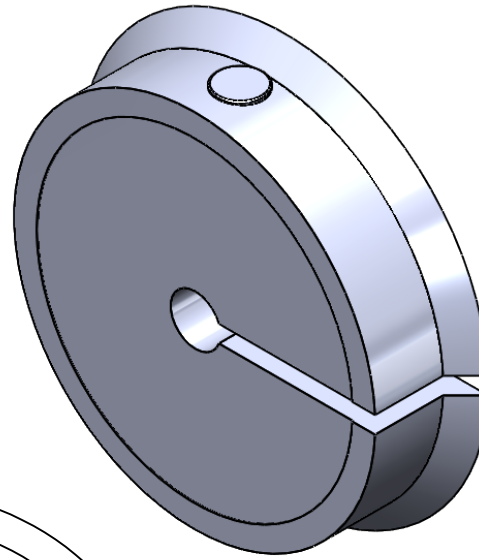
PROPRIETARY AND CONFIDENTIAL

THE INFORMATION CONTAINED IN THIS DRAWING IS THE SOLE PROPERTY OF STAFFORD MFG. ANY REPRODUCTION IN PART OR AS A WHOLE WITHOUT THE WRITTEN PERMISSION OF STAFFORD MFG. IS PROHIBITED.

Ø 1.995"
OUTSIDE DIAMETER

Ø 1.750"
USER DEFINED AREA
MAXIMUM I.D. 1.750"

Ø 0.250"
PILOT HOLE



VISIT US ONLINE AT
WWW.STAFFORDMFG.COM

COUNTRY OF ORIGIN - USA
ALL DIMENSIONS ARE IN ENGLISH



DESCRIPTION:

2" 1PC SPARCTM Basic Insert
(Max ID 1-3/4")

SERIES Solution	STYLE N/A	MATERIAL USER DEFINED	FINISH USER DEFINED	APPROX. WEIGHT USER DEFINED	PART NO. 3-DT1P200-000
--------------------	--------------	--------------------------	------------------------	--------------------------------	---------------------------