

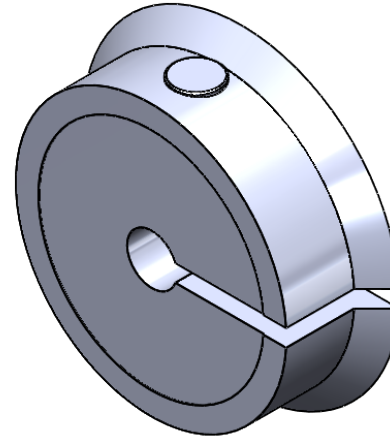
PART NO.

3-DT1P108-000

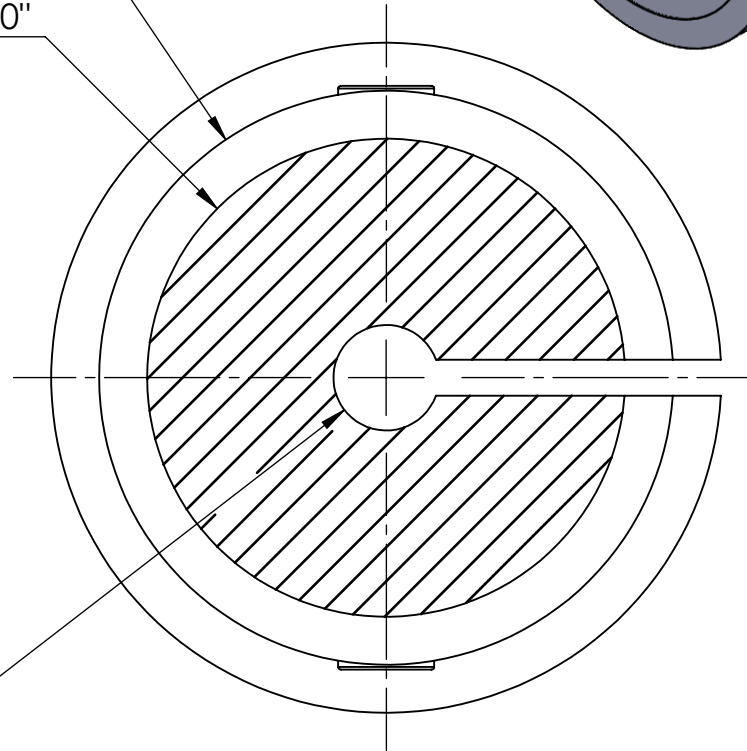
**PROPRIETARY AND CONFIDENTIAL**

THE INFORMATION CONTAINED IN THIS DRAWING IS THE SOLE PROPERTY OF STAFFORD MFG. ANY REPRODUCTION IN PART OR AS A WHOLE WITHOUT THE WRITTEN PERMISSION OF STAFFORD MFG. IS PROHIBITED.

Ø 1.495"  
OUTSIDE DIAMETER

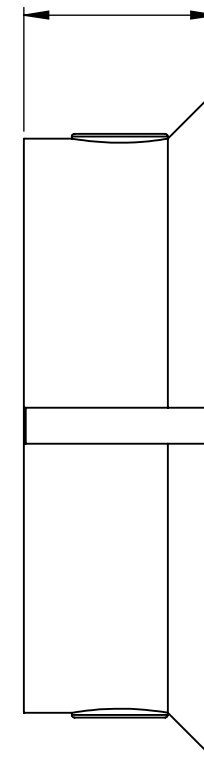


Ø 1.250"  
USER DEFINED AREA  
MAXIMUM ID 1.250"



Ø 0.250"  
PILOT HOLE

0.500" WIDTH



VISIT US ONLINE AT  
[WWW.STAFFORDMFG.COM](http://WWW.STAFFORDMFG.COM)

COUNTRY OF ORIGIN - USA  
ALL DIMENSIONS ARE IN ENGLISH



DESCRIPTION:

1-1/2" 1PC SPARCTM Basic Insert  
(Max ID 1-1/4")

SERIES Solution	STYLE N/A	MATERIAL USER DEFINED	FINISH USER DEFINED	APPROX. WEIGHT USER DEFINED	PART NO. 3-DT1P108-000
--------------------	--------------	--------------------------	------------------------	--------------------------------	---------------------------