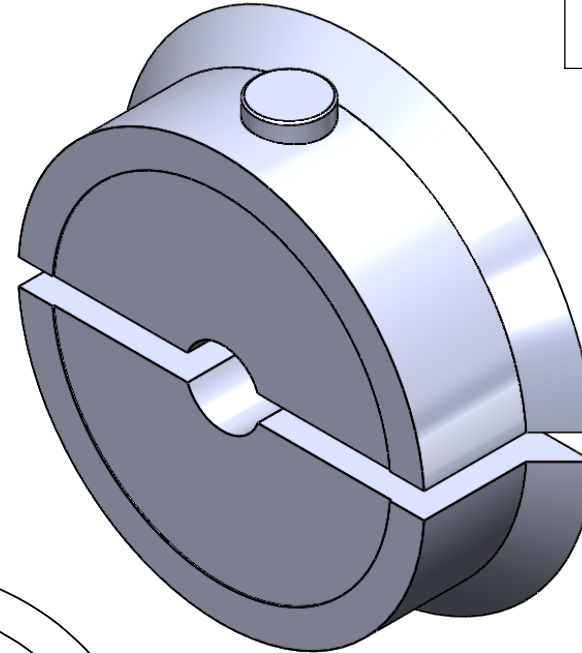


PART NO.

3-DT2P108-000

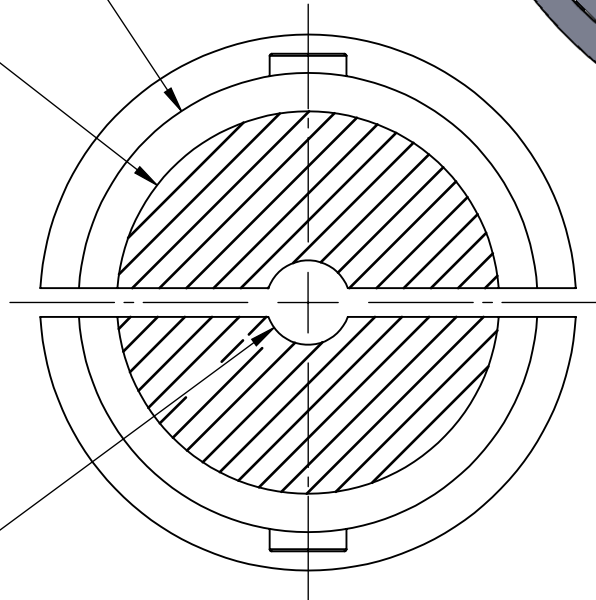
**PROPRIETARY AND CONFIDENTIAL**

THE INFORMATION CONTAINED IN THIS DRAWING IS THE SOLE PROPERTY OF STAFFORD MFG. ANY REPRODUCTION IN PART OR AS A WHOLE WITHOUT THE WRITTEN PERMISSION OF STAFFORD MFG. IS PROHIBITED.

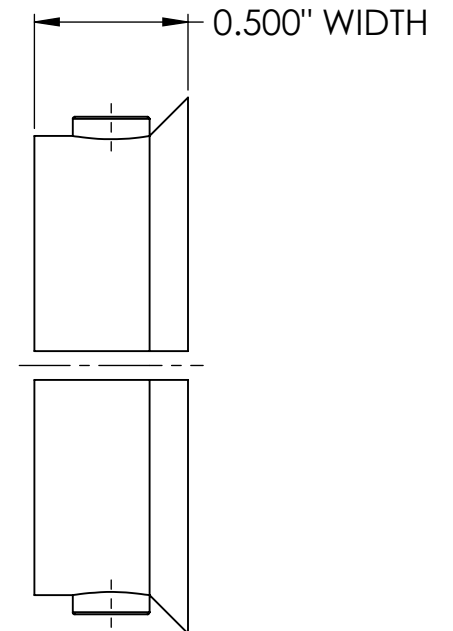


Ø 1.495"  
OUTSIDE DIAMTER

Ø 1.250" USER  
DEFINED AREA  
MAXIMUM I.D. 1.250"



Ø 0.250"  
PILOT HOLE



VISIT US ONLINE AT  
[WWW.STAFFORDMFG.COM](http://WWW.STAFFORDMFG.COM)

COUNTRY OF ORIGIN - USA  
ALL DIMENSIONS ARE IN ENGLISH



DESCRIPTION:

1-1/2" 2PC SPARCTM Basic  
Insert (Max ID 1-1/4")

SERIES Solution	STYLE N/A	MATERIAL USER DEFINED	FINISH USER DEFINED	APPROX. WEIGHT USER DEFINED	PART NO. 3-DT2P108-000
--------------------	--------------	--------------------------	------------------------	--------------------------------	---------------------------